



PISTON PUMPS

Sunfab SVH

Variable Axial Piston Pump

High Pressure
 High power to weight ratio
 Long Service life
 Max Disp 130cm³/rev
 Peak Pressure 450Bar
 Quiet operation
 External Drainage



Model	Displacement cm ³ /r (in ³ /r)	Angle of Swash Plate	Maximum Speed rpm	Maximum Pressure bar (psi)	Typical Delivery US gpm (l/min) 1500rpm @max pressure	Drive Power Power kw (hp)	Approx weight kg
SVH062	62.4	21.5 deg	2500	400 (5800)	24.7 (93.6)	53.0 (71)	24.0
SVH092	87.2	21.5 deg	2300	400 (5800)	34.5 (130.8)	79.5 (106)	27.0
SVH112	110.4	21.5 deg	2200	400 (5800)	43.7 (165.6)	97.2 (130)	30.0
SVH130	130.0	21.5 deg	2100	450 (6500)		120.0 (160)	30.8

Phone: 07 3889 4591

Fax: 07 3889 5921

www.tidalfluidpower.com.au

sales@tidalfluidpower.com.au



SVH - 092 R DZN - 2 - LSNR/ZL - 2/65 - 350 - C 022

Basic type

Nominal size

062
092
112
130

Direction of rotation:

L = Left-hand (counter clockwise)
R = Right-hand (clockwise)
always facing the drive shaft

Shaft design:

D = Splined shaft conforming
DIN ISO 14 (for trucks)
M = Splined shaft DIN 5480
only SVH 092, 112
S = Splined shaft SAE-C J 744
H = Splined shaft SAE-B J 744
only SVH 062
T = Splined shaft SAE-B-B J 744
only SVH 062
U = Splined shaft SAE-B J 744 (short)
only SVH 062
Q = Splined shaft SAE-C S
only SVH 112, 130

Mounting flange design (input side):

Y = Flange ISO 7653-1985 (for trucks)
P = Flange ISO 7653-1985 10" (for
trucks), only SVH 112, 130
G = Flange ISO 3019-2, only SVH 092
F = Flange SAE-C-4-Hole J 744
ISO 3019-1
Z = Flange SAE-B-4-Hole J 744
ISO 3019-1, only SVH 062
X = Flange SAE-B-2-Hole-45°offset
J 744 ISO 3019-1, only SVH-062

*Mounting flange design
(output side), see page 5*

no coding = Ports conforming
ISO 228/1 (BSPP)
UNF = Ports conforming
SAE J 514

Pressure specification (bar)

no coding = Without stroke limitation
(standard)
2 = With stroke limitation
(not available for versions
with thru-shaft SVH 062, 092, 112)
2 /... = Factory set stroke limitation,
specification V_g (cm²/rev.)

*Pump controllers / Intermediate plates,
see page 3*

Shaft design/Housing design:

1 = Standard, suction port and
pressure outlet axial
2 = Thru-shaft, suction port and
pressure outlet radial
3 = Standard, suction port and
pressure outlet radial
4 = Standard, suction pressure port
SAE axial, only SVH 092

Seals:

N = NBR (Nitrile rubber) - Standard
V = FKM

Phone: 07 3889 4591

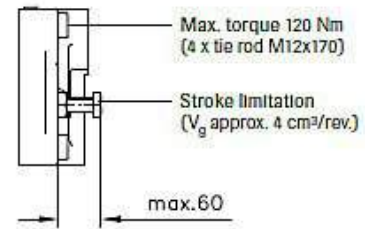
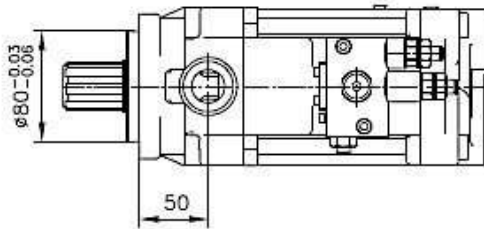
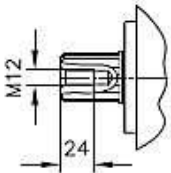
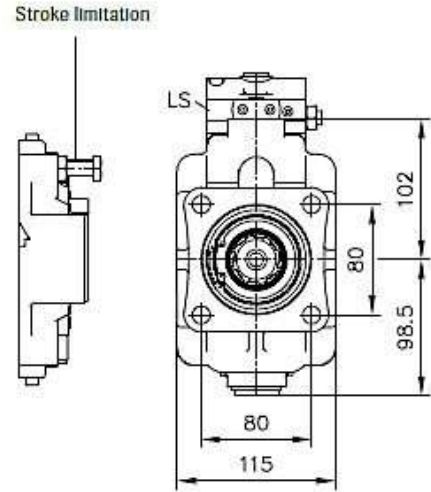
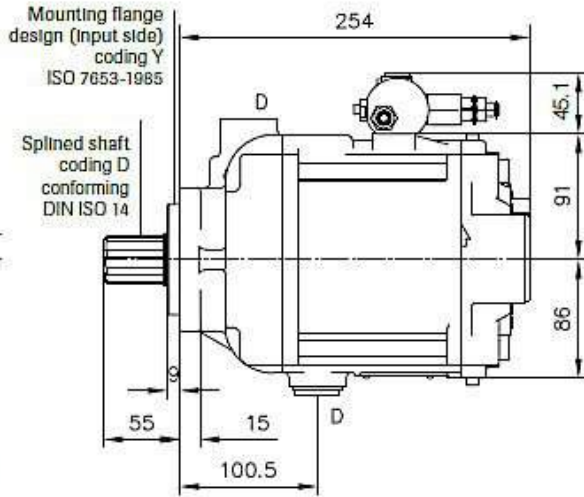
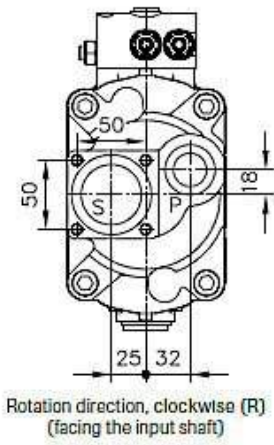
Fax: 07 3889 5921

www.tidalfuidpower.com.au

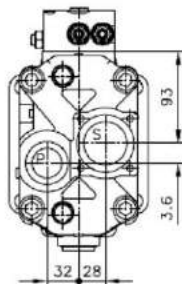
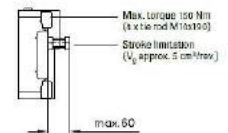
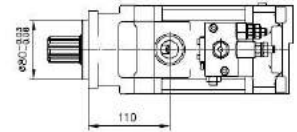
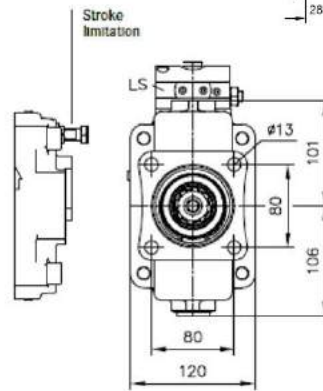
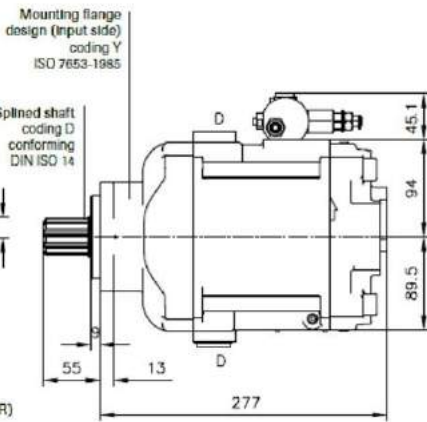
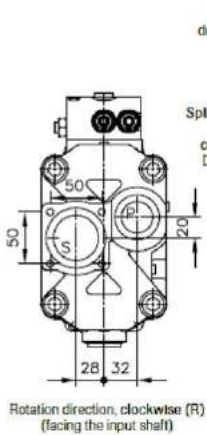
sales@tidalfuidpower.com.au



SVH 062



SVH 092



Coding UNF ports conforming SAE J 514:

- P = 1 5/16-12 UN-2B
- S = Flange, suction port
- D = 1 1/16-12 UN-2B
- LS = G 1/4 (ISO 228/1 (BSPP)) with adaptor for 7/16-20 (SAE-4)

Ports (ISO 228/1 (BSPP)):

- P = Pressure outlet G1
- S = Flange, suction port
- D = Case drain G 3/4

Phone: 07 3889 4591

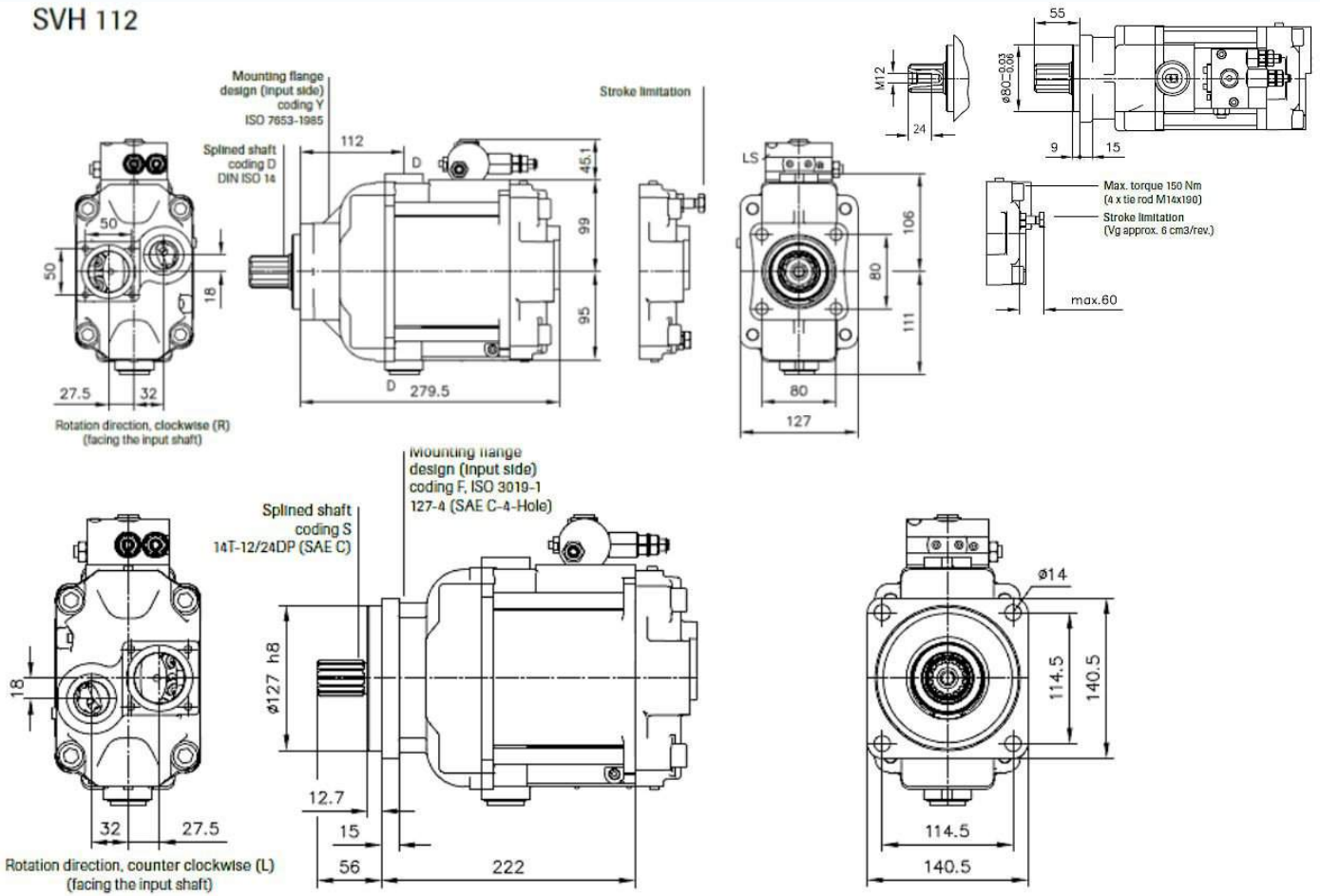
Fax: 07 3889 5921

www.tidalfuidpower.com.au

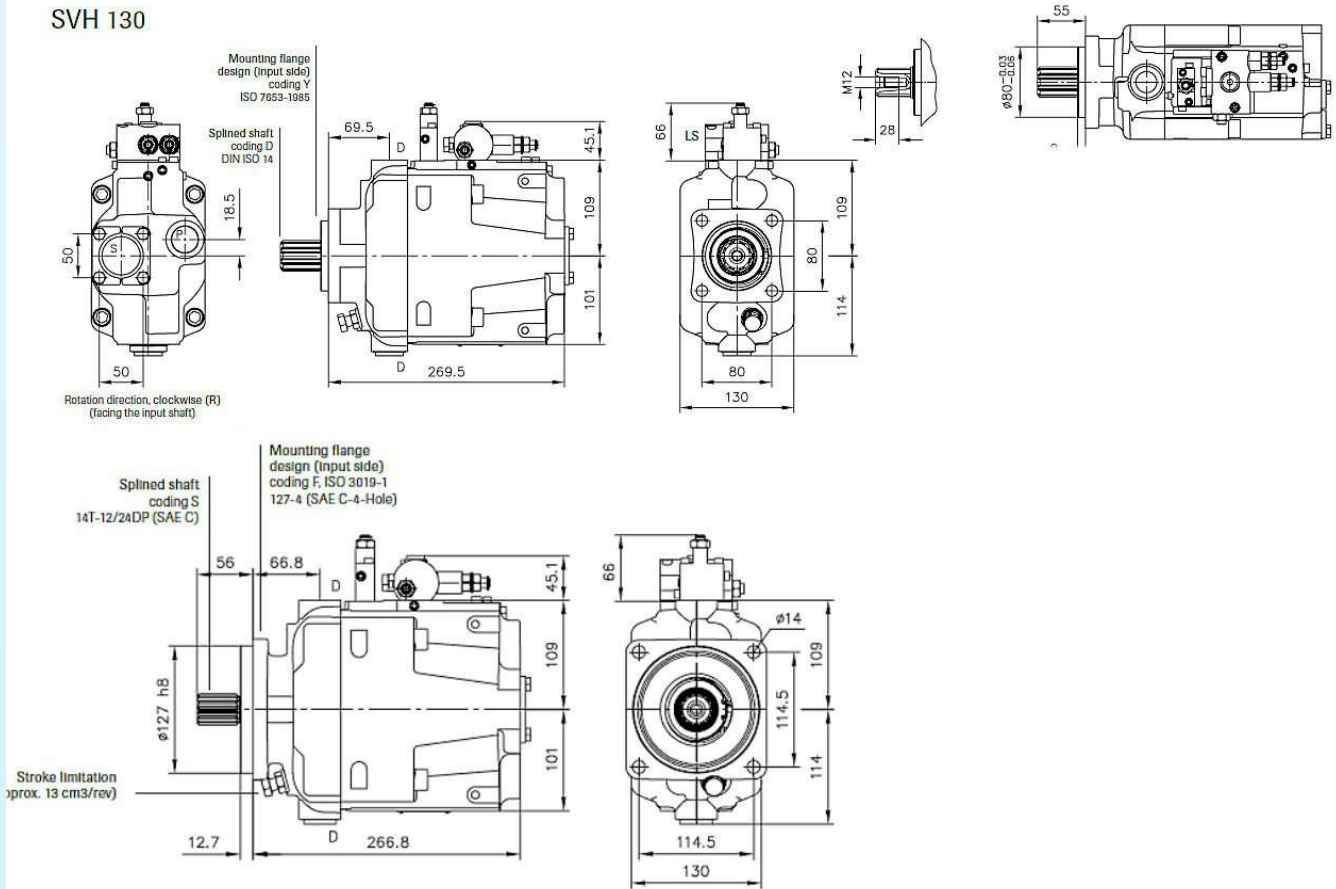
sales@tidalfuidpower.com.au



SVH 112



SVH 130



Phone: 07 3889 4591

Fax: 07 3889 5921

www.tidalfuidpower.com.au

sales@tidalfuidpower.com.au

